



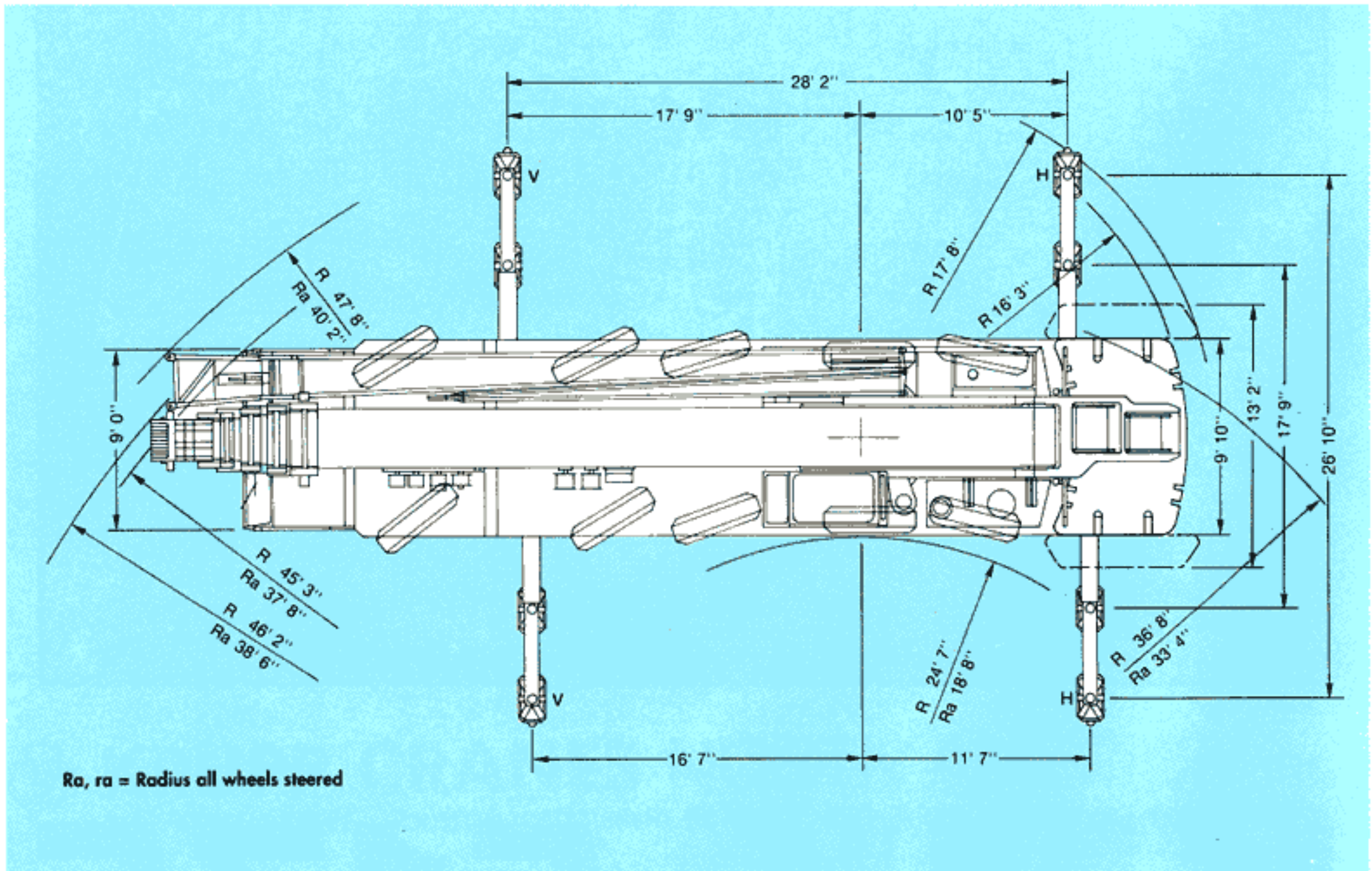
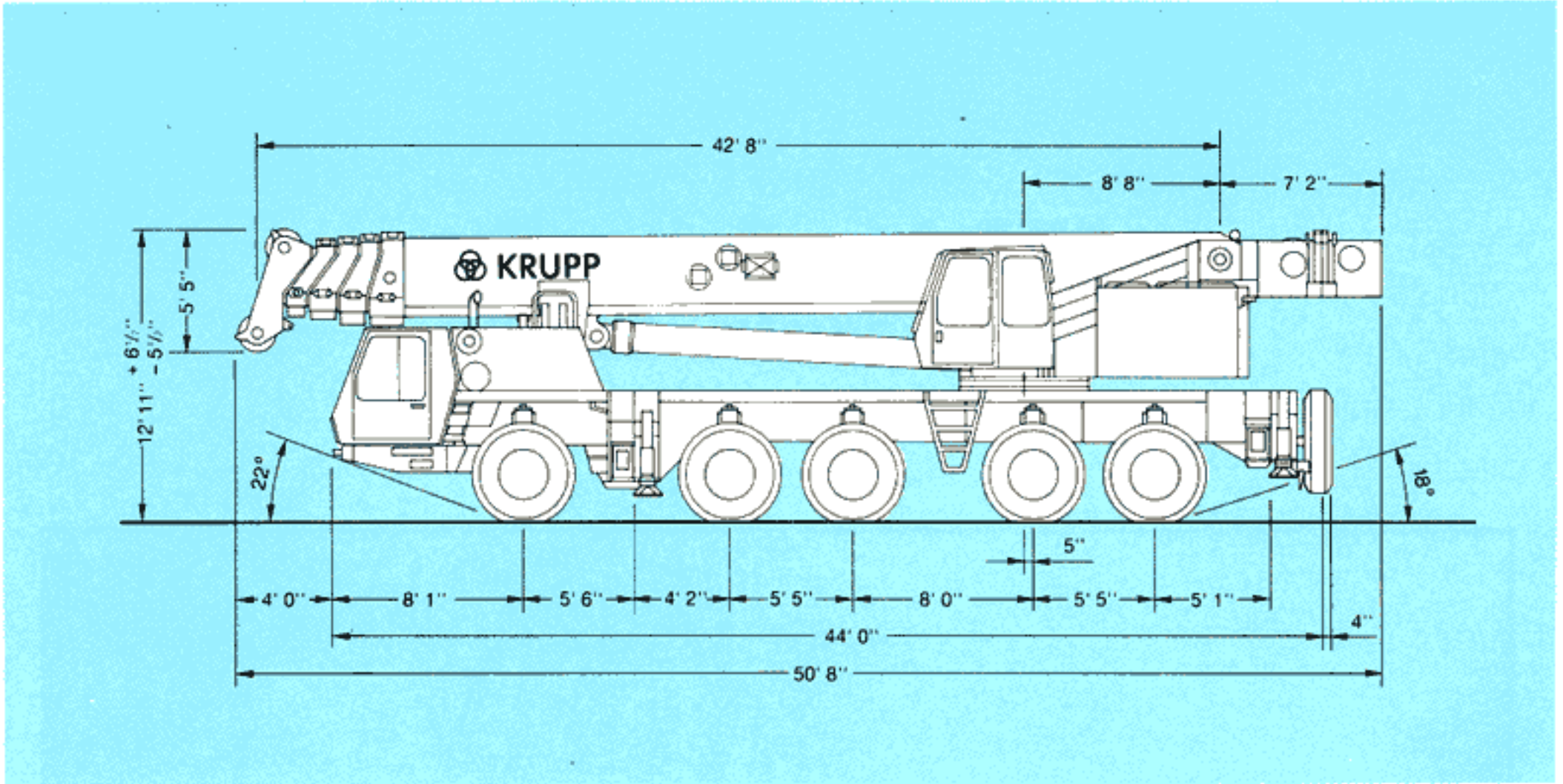
KRUPP

**175 ton Capacity
All-Terrain-Crane**

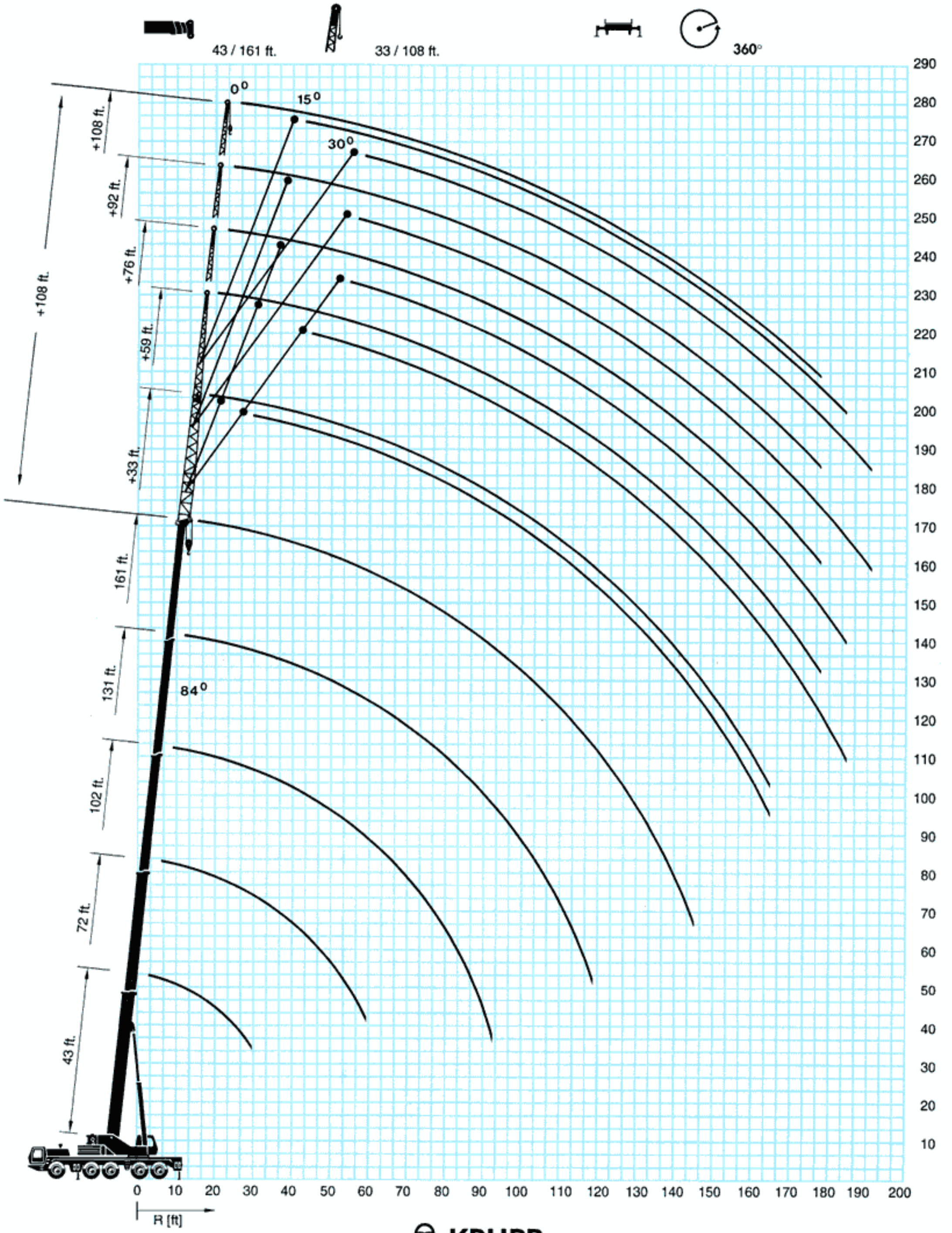


KMK 5175

Dimensions



Working range



Main Boom

Lifting Capacities in 1000 lbs



43 – 161 ft



360°

Counterweight **99,2*** lbs

Radius ft	Boom-length										Radius ft				
	43 ft*	43 ft	57 ft	72 ft	87 ft	102 ft	131 ft	146 ft	161 ft						
10	350,0	266,0	155,0	194,0	155,0	110,0					10				
15	278,0	232,0	155,0	190,0	155,0	110,0	80,0				15				
20	226,0	189,0	144,0	164,0	145,0	110,0	80,0	61,0	46,0		20				
25	185,0	159,0	124,0	141,0	127,0	110,0	80,0	61,0	46,0		25				
30	137,0	136,0	108,0	123,0	111,0	100,0	80,0	61,0	46,0		30				
35			96,0	108,0	97,0	89,0	76,0	59,0	46,0		35				
40			85,0	96,0	86,0	78,0	70,0	55,0	46,0		40				
45			77,0	81,0	77,0	70,0	64,0	52,0	46,0		45				
50				71,0	68,0	63,0	58,0	49,0	46,0		50				
55				62,0	58,0	57,0	53,0	46,0	43,2		55				
60					50,0	51,0	49,0	43,6	40,4		60				
65					42,8	44,0	45,0	41,4	37,8		65				
70					37,0	38,2	41,4	39,2	35,8		70				
75					32,2	33,2	37,8	36,8	33,8		75				
80							29,0	33,6	31,6		80				
85							25,4	30,0	30,0		85				
90							21,0	26,8	28,4		90				
95								23,8	26,4		95				
100								21,4	24,0		100				
105								19,6	21,6		105				
110								18,6	19,6		110				
115								17,6	17,8		115				
120								16,8	16,0		120				
125									14,6		125				
130									13,2		130				
135									11,8		135				
140									10,6		140				
145									9,6		145				
%	T1	0	0	0	100	0	0	100	100	0	100	0	100	100	T1
	T2	0	0	50	0	100	0	50	100	0	100	100	100	100	T2
	T3	0	0	0	0	0	50	0	0	100	50	100	75	100	T3
	T4	0	0	0	0	0	50	0	0	100	50	100	75	100	T4

* 28' 2" x 26' 10" x 17' 9" ± 90° over rear

* 1000 lbs

Lifting capacities > 240000 lbs require additional heavy lift equipment

Main Boom

Lifting Capacities in 1000 lbs



43 - 161 ft



360°

Counterweight **66,1*** lbs

Radius ft	Boom-length										Radius ft				
	43 ft*	43 ft	57 ft	72 ft	87 ft	102 ft	131 ft	146 ft	161 ft						
10	337,0	266,0	155,0	194,0	155,0	110,0					10				
15	276,0	228,0	155,0	190,0	155,0	110,0	80,0				15				
20	220,0	186,0	144,0	164,0	145,0	110,0	80,0	61,0	46,0		20				
25	148,0	157,0	124,0	141,0	127,0	110,0	80,0	61,0	46,0		25				
30	103,0	132,0	108,0	123,0	111,0	100,0	80,0	61,0	46,0		30				
35			95,0	97,0	97,0	89,0	76,0	59,0	46,0		35				
40			81,0	81,0	76,0	78,0	70,0	55,0	46,0		40				
45			67,0	67,0	62,0	63,0	64,0	52,0	46,0		45				
50				56,0	51,0	52,0	57,0	49,0	46,0		50				
55				47,0	42,4	43,6	49,0	46,0	43,2		55				
60					35,4	36,6	41,6	42,6	40,4		60				
65					29,8	31,0	35,8	36,8	37,8		65				
70					25,2	26,8	31,0	32,0	33,8		70				
75					21,2	25,2	28,6	28,0	29,6		75				
80						23,6	26,4	24,4	26,2		80				
85						22,2	24,8	21,4	23,2		85				
90						21,0	23,4	18,8	20,4		90				
95							21,4	16,4	18,2		95				
100							19,2	14,4	16,0		100				
105							17,4	12,6	14,2		105				
110							15,6	11,0	12,6		110				
115							14,2	9,4	11,0		115				
120							12,8	8,0	9,6		120				
125								6,8	8,4		125				
130								5,6	7,2		130				
135									6,2		135				
140									5,2		140				
145									4,4		145				
 %	T1	0	0	0	100	0	0	100	100	0	100	0	100	100	T1
	T2	0	0	50	0	100	0	50	100	0	100	100	100	100	T2
	T3	0	0	0	0	0	50	0	0	100	50	100	75	100	T3
	T4	0	0	0	0	0	50	0	0	100	50	100	75	100	T4

* 28' 2" x 26' 10" x 17' 9" ± 90° over rear

* 1000 lbs

Lifting capacities > 240000 lbs require additional heavy lift equipment

Main boom + swingaway lattice extension

Lifting capacities in 1000 lbs



33/59 ft



360°

Counterweight **99,2*** lbs

Radius ft	Main Boom						Radius ft
	161 ft			161 ft			
	33 ft			59 ft			
	0°	15°	30°	0°	15°	30°	
20	26,6						20
25	26,6						25
30	26,6			17,0			30
35	26,6	26,6		17,0			35
40	26,6	26,6	26,6	17,0			40
45	26,6	26,4	26,6	17,0	18,0		45
50	26,4	26,2	25,8	17,0	18,0		50
55	26,0	25,8	24,8	17,0	18,0		55
60	25,8	25,4	23,8	17,0	18,0	17,6	60
65	25,4	24,4	23,0	17,0	18,0	17,0	65
70	25,0	23,6	22,2	17,0	17,8	16,2	70
75	24,4	22,6	21,4	17,0	17,2	15,6	75
80	23,6	21,8	20,6	17,0	16,6	14,8	80
85	22,6	21,0	20,0	17,0	15,8	14,2	85
90	21,6	20,2	19,2	17,0	15,2	13,8	90
95	20,6	19,4	18,6	16,4	14,4	13,4	95
100	19,6	18,8	18,0	15,6	13,8	13,0	100
105	18,8	18,2	17,6	15,0	13,4	12,6	105
110	18,0	17,4	17,0	14,2	12,8	12,2	110
115	17,2	16,8	16,6	13,4	12,4	11,8	115
120	16,4	16,0	15,8	13,0	12,0	11,4	120
125	15,4	15,2	15,2	12,6	11,8	11,2	125
130	14,2	14,4	14,4	12,2	11,4	10,8	130
135	12,8	13,4	13,8	11,8	11,0	10,6	135
140	11,6	12,2	12,4	11,4	10,8	10,4	140
145	10,4	11,0	11,2	11,0	10,4	10,2	145
150	9,4	9,8	10,0	10,6	10,2	9,8	150
155	8,4	8,8	9,0	9,8	9,8	9,6	155
160	7,6	7,8	8,0	9,0	9,6	9,4	160
165	6,8	7,0	7,0	8,2	8,8	9,2	165
170	6,0	6,2	6,2	7,4	8,0	8,4	170
175	5,2	5,4	5,4	6,6	7,2	7,6	175
180	4,6	4,6	4,4	5,8	6,4	6,8	180
185				5,2	5,6	6,0	185
190				4,6	5,0	5,2	190
195				4,0	4,4	4,4	195
200				3,4	3,6	3,6	200

* 1000 lbs

Main boom + swingaway lattice extension

Lifting capacities in 1000 lbs



33/59 ft



360°

Counterweight **66,1*** lbs

Radius ft	Main Boom						Radius ft
	161 ft			161 ft			
	33 ft		30°	59 ft		30°	
0°	15°	0°		15°			
20	26,6						20
25	26,6						25
30	26,6			17,0			30
35	26,6	26,6		17,0			35
40	26,6	26,6	26,6	17,0			40
45	26,6	26,4	26,6	17,0	18,0		45
50	26,4	26,2	25,8	17,0	18,0		50
55	26,0	25,8	24,8	17,0	18,0		55
60	25,8	25,4	23,8	17,0	18,0	17,6	60
65	25,4	24,4	23,0	17,0	18,0	17,0	65
70	25,0	23,6	22,2	17,0	17,8	16,2	70
75	24,4	22,6	21,4	17,0	17,2	15,6	75
80	23,6	21,8	20,6	17,0	16,6	14,8	80
85	22,6	21,0	20,0	17,0	15,8	14,2	85
90	21,6	20,2	19,2	17,0	15,2	13,8	90
95	19,4	19,4	18,6	16,4	14,4	13,4	95
100	17,2	18,2	18,0	15,6	13,8	13,0	100
105	15,4	16,2	17,0	15,0	13,4	12,6	105
110	13,6	14,4	15,2	14,2	12,8	12,2	110
115	12,0	12,8	13,4	13,4	12,4	11,8	115
120	10,6	11,4	12,0	12,2	12,0	11,4	120
125	9,4	10,0	10,6	10,8	11,8	11,2	125
130	8,2	8,8	9,4	9,6	11,0	10,8	130
135	7,2	7,8	8,2	8,6	9,8	10,6	135
140	6,2	6,6	7,0	7,6	8,8	9,6	140
145	5,2	5,8	6,0	6,6	7,8	8,6	145
150	4,4	4,8	5,0	5,8	6,8	7,6	150
155	3,6	4,0	4,2	5,0	6,0	6,6	155
160			3,4	4,2	5,0	5,6	160
165				3,6	4,4	4,8	165
170					3,6	4,0	170

* 1000 lbs

Main Boom + Jib

(76 FT, 92 FT & 108 FT)

MAIN BOOM LENGTH - 131 FT. / 360° / COUNTERWEIGHT 99,200 LBS.
OUTRIGGER BASE - 28'2" x 26'10" / CAPACITIES IN 1,000 LBS./RADIUS IN FEET

LENGTH OFFSET	76 ft 0°	76 ft 15°	76 ft 30°
1. Tel.	0.0	0.0	0.0
2. Tel.	1.0	1.0	1.0
3. Tel.	1.0	1.0	1.0
4. Tel.	1.0	1.0	1.0
RADIUS	BOOM-L 131	BOOM-L 131	BOOM-L 131
15.0	12.8		
20.0	12.8		
25.0	12.8		
30.0	12.8		
35.0	12.8		
40.0	12.8		
45.0	12.8	12.4	
50.0	12.8	12.2	
55.0	12.8	12.0	
60.0	12.8	11.6	10.4
65.0	12.8	11.4	10.2
70.0	12.2	11.2	10.0
75.0	11.8	10.8	9.8
80.0	11.2	10.6	9.6
85.0	10.8	10.2	9.4
90.0	10.6	10.0	9.2
95.0	10.2	9.8	9.0
100.0	10.0	9.8	9.0
105.0	9.8	9.6	8.8
110.0	9.6	9.4	8.6
115.0	9.4	9.4	8.6
120.0	9.4	9.2	8.4
125.0	9.2	9.0	8.4
130.0	9.2	8.8	8.2
135.0	9.0	8.6	8.0
140.0	8.6	8.2	8.0
145.0	8.4	8.0	7.8
150.0	8.0	7.8	7.6
155.0	7.8	7.6	7.4
160.0	7.6	7.4	7.2
165.0	7.2	7.0	7.0
170.0	7.0	6.8	6.8
175.0	6.6	6.6	6.8
180.0	6.4	6.4	
185.0		6.2	
190.0		5.8	
195.0			
200.0			
205.0			
210.0			
215.0			
220.0			
225.0			

LENGTH OFFSET	92 ft 0°	92 ft 15°	92 ft 30°
1. Tel.	0.0	0.0	0.0
2. Tel.	1.0	1.0	1.0
3. Tel.	1.0	1.0	1.0
4. Tel.	1.0	1.0	1.0
RADIUS	BOOM-L 131	BOOM-L 131	BOOM-L 131
15.0			
20.0	11.2		
25.0	11.2		
30.0	11.2		
35.0	11.2		
40.0	11.2		
45.0	11.2		
50.0	11.2	10.8	
55.0	11.2	10.4	
60.0	11.2	9.8	
65.0	10.6	9.4	
70.0	10.0	9.2	8.8
75.0	9.6	8.8	8.6
80.0	9.2	8.6	8.4
85.0	8.8	8.4	8.2
90.0	8.6	8.2	8.2
95.0	8.4	8.0	8.0
100.0	8.0	7.8	8.0
105.0	7.8	7.6	7.8
110.0	7.8	7.6	7.8
115.0	7.6	7.4	7.8
120.0	7.4	7.4	7.8
125.0	7.4	7.4	7.8
130.0	7.2	7.4	7.4
135.0	7.2	7.4	7.2
140.0	7.2	7.0	7.0
145.0	7.0	6.8	6.6
150.0	6.8	6.6	6.4
155.0	6.6	6.4	6.2
160.0	6.2	6.2	6.0
165.0	6.0	5.8	5.8
170.0	5.8	5.6	5.6
175.0	5.6	5.6	5.6
180.0	5.4	5.4	5.4
185.0	5.2	5.2	5.2
190.0	5.0	5.0	5.0
195.0	4.8	4.8	
200.0	4.6	4.6	
205.0			
210.0			
215.0			
220.0			
225.0			

LENGTH OFFSET	108 ft 0°	108 ft 15°	108 ft 30°
1. Tel.	0.0	0.0	0.0
2. Tel.	1.0	1.0	1.0
3. Tel.	1.0	1.0	1.0
4. Tel.	1.0	1.0	1.0
RADIUS	BOOM-L 131	BOOM-L 131	BOOM-L 131
15.0			
20.0			
25.0			
30.0	9.4		
35.0	9.4		
40.0	9.4		
45.0	9.4		
50.0	9.4	9.0	
55.0	9.4	8.6	
60.0	9.2	8.2	
65.0	8.8	7.8	
70.0	8.4	7.6	7.4
75.0	8.0	7.4	7.2
80.0	7.6	7.0	7.0
85.0	7.4	6.8	6.8
90.0	7.2	6.8	6.6
95.0	6.8	6.6	6.6
100.0	6.6	6.4	6.4
105.0	6.6	6.2	6.4
110.0	6.4	6.2	6.4
115.0	6.2	6.0	6.2
120.0	6.2	6.0	6.2
125.0	6.0	6.0	6.2
130.0	6.0	5.8	6.2
135.0	5.8	5.8	6.2
140.0	5.8	5.8	6.0
145.0	5.8	5.8	5.8
150.0	5.6	5.6	5.6
155.0	5.4	5.4	5.2
160.0	5.2	5.0	5.0
165.0	5.0	4.8	4.8
170.0	4.8	4.6	4.6
175.0	4.6	4.4	4.6
180.0	4.4	4.4	4.4
185.0	4.2	4.2	4.2
190.0	4.0	4.0	4.0
195.0	3.8	3.8	3.8
200.0	3.6	3.6	3.8
205.0	3.6	3.6	
210.0	3.4	3.4	
215.0	3.2	3.2	
220.0		3.0	
225.0			

MAIN BOOM LENGTH - 161 FT. / 360° / COUNTERWEIGHT 99,200 LBS.

LENGTH OFFSET	76 ft 0°	76 ft 15°	76 ft 30°
1. Tel.	1.0	1.0	1.0
2. Tel.	1.0	1.0	1.0
3. Tel.	1.0	1.0	1.0
4. Tel.	1.0	1.0	1.0
RADIUS	BOOM-L 161	BOOM-L 161	BOOM-L 161
15.0			
20.0			
25.0	11.4		
30.0	11.4		
35.0	11.4		
40.0	11.4		
45.0	11.4		
50.0	11.4	11.4	
55.0	11.4	10.8	
60.0	11.4	10.4	
65.0	11.2	10.0	
70.0	10.6	9.6	9.2
75.0	10.2	9.2	9.0
80.0	9.8	9.0	8.8
85.0	9.4	8.8	8.6
90.0	9.0	8.4	8.4
95.0	8.8	8.2	8.2
100.0	8.6	8.2	8.2
105.0	8.2	8.0	8.0
110.0	8.0	7.8	8.0
115.0	8.0	7.8	8.0
120.0	7.8	7.6	8.0
125.0	7.6	7.6	8.0
130.0	7.6	7.6	8.0
135.0	7.4	7.4	8.0
140.0	7.4	7.4	8.2
145.0	7.4	7.6	8.2
150.0	7.4	7.6	8.0
155.0	7.4	7.6	7.8
160.0	7.4	7.6	7.8
165.0	7.4	7.6	7.6
170.0	7.4	7.6	7.4
175.0	6.8	7.4	7.2
180.0	6.0	6.8	7.2
185.0	5.4	6.2	6.6
190.0	4.8	5.4	6.0
195.0	4.2	4.8	5.2
200.0	3.6	4.2	4.4
205.0	3.0	3.6	
210.0	2.6	3.0	
215.0	2.0	2.4	
220.0			
225.0			

LENGTH OFFSET	92 ft 0°	92 ft 15°	92 ft 30°
1. Tel.	1.0	1.0	1.0
2. Tel.	1.0	1.0	1.0
3. Tel.	1.0	1.0	1.0
4. Tel.	1.0	1.0	1.0
RADIUS	BOOM-L 161	BOOM-L 161	BOOM-L 161
15.0			
20.0			
25.0			
30.0	9.8		
35.0	9.8		
40.0	9.8		
45.0	9.8		
50.0	9.8		
55.0	9.8	9.0	
60.0	9.8	8.6	
65.0	9.4	8.2	
70.0	8.8	8.0	7.6
75.0	8.4	7.6	7.4
80.0	8.0	7.4	7.2
85.0	7.8	7.2	7.0
90.0	7.6	7.0	7.0
95.0	7.2	6.8	6.8
100.0	7.0	6.6	6.6
105.0	6.8	6.6	6.6
110.0	6.6	6.4	6.6
115.0	6.6	6.4	6.4
120.0	6.4	6.2	6.4
125.0	6.2	6.2	6.4
130.0	6.2	6.0	6.4
135.0	6.0	6.0	6.4
140.0	6.0	6.0	6.4
145.0	6.0	6.0	6.4
150.0	6.0	6.0	6.4
155.0	5.8	6.0	6.4
160.0	5.8	6.0	6.4
165.0	5.8	6.0	6.4
170.0	5.8	6.2	6.2
175.0	6.0	6.2	6.0
180.0	6.0	6.0	5.8
185.0	5.6	5.8	5.8
190.0	5.0	5.6	5.6
195.0	4.4	5.2	5.4
200.0	3.8	4.4	5.0
205.0	3.2	3.8	4.2
210.0	2.8	3.2	3.6
215.0	2.2	2.8	3.0
220.0		2.2	
225.0			

LENGTH OFFSET	108 ft 0°	108 ft 15°	108 ft 30°
1. Tel.	1.0	1.0	1.0
2. Tel.	1.0	1.0	1.0
3. Tel.	1.0	1.0	1.0
4. Tel.	1.0	1.0	1.0
RADIUS	BOOM-L 161	BOOM-L 161	BOOM-L 161
15.0			
20.0			
25.0			
30.0	8.0		
35.0	8.0		
40.0	8.0		
45.0	8.0		
50.0	8.0		
55.0	8.0	8.4	
60.0	8.0	8.2	
65.0	8.0	7.8	
70.0	8.0	7.6	
75.0	8.0	7.2	
80.0	7.6	7.0	6.8
85.0	7.4	6.8	6.6
90.0	7.2	6.6	6.4
95.0	6.8	6.4	6.4
100.0	6.6	6.2	6.2
105.0	6.4	6.2	6.0
110.0	6.2	6.0	6.0
115.0	6.2	5.8	5.8
120.0	6.0	5.8	5.8
125.0	5.8	5.6	5.8
130.0	5.8	5.6	5.6
135.0	5.6	5.6	5.6
140.0	5.6	5.4	5.6
145.0	5.4	5.4	5.6
150.0	5.4	5.4	5.6
155.0	5.4	5.4	5.6
160.0	5.2	5.2	5.6
165.0	5.2	5.2	5.4
170.0	5.2	5.2	5.2
175.0	5.2	5.0	5.0
180.0	5.0	4.8	4.8
185.0	4.8	4.8	4.8
190.0	4.6	4.6	4.6
195.0	4.4	4.4	4.4
200.0	3.8	4.2	4.2
205.0	3.2	4.0	4.2
210.0	2.6	3.4	3.8
215.0	2.2	2.8	3.2
220.0		2.4	2.6
225.0			2.2

Lifting capacities Main-Boom

Optional Counterweight Configurations



43 – 161 ft



360°

Counter-weight*

Radius		43 ft	57 ft	72 ft	87 ft	102 ft	131 ft	146 ft	161 ft				
44	lbs*/ft min.	266/10	155/10	194/10	155/10	110/10	80/15	61/20	46/20				
	max.	114/29	51/46	33/59	16/72	19,6/91	8,8/118	5,7/111	5,7/118				
24	lbs*/ft min.	266/10	155/10	194/10	155/10	110/10	80/15	61/20	46/20				
	max.	91/29	39/46	30/59	7,7/72	13/91	5,5/111	5,9/91	5,7/98				
11	lbs*/ft min.	266/10	155/10	194/10	155/10	110/10	80/15	61/20	46/20				
	max.	78/29	30/46	23/59	10,6/59	9,5/91	7,3/91	6,6/78	8,4/78				
 %	T1	0	0	100	0	0	100	100	0	100	0	100	100
	T2	0	50	0	100	0	50	100	0	100	100	100	100
	T3	0	0	0	0	50	0	0	100	50	100	75	100
	T4	0	0	0	0	50	0	0	100	50	100	75	100

* 1000 lbs

Notes for lifting capacities

Rated loads do not exceed 85% of tipping load with the machine properly levelled on firm ground.

360° duties – on outriggers fully extended.

For safe crane operation due allowance must be made to compensate for high winds, side load, pendulum action and other hazardous conditions. No side pull permitted.

Hook blocks, sling and/or boom attachments are considered part of load, and their weight must be deducted from the rated lifting capacity to determine the net load.

Boom must be extended in accordance with sequence as noted on lifting capacity chart.

Consult crane manual to determine weight reduction for load handling devices and boom attachments.

Operate crane strictly in compliance with operator's manual.

Weights/Working speeds



Axle	1	2	3	4	5	Total weight
lbs	26,5	26,5	26,5	26,5	26,5	132,5*

* 1000 lbs



Lifting capacity tons	sheaves	Parts of line	Weight lbs
90	7	4 - 13	2500
50	3	1 - 7	1500
20	1	1 - 3	700



Gear	1	2	3	4	5	R	Gradeability max.
On-Road (mph)	8,3	13,4	21,2	31,2	43,1	9,0	
Off-Road (mph)	4,5	7,2	11,4	16,7	23,1	4,8	52 %
Tyres	14.00 R 25						



Drives	infinitely variable	Rope diameter/Rope length	Max. single line pull
Main hoist	0 - 394 ft/min ⁻¹ single line	3/4" (19 mm) 980 ft	16,000 lbs.
Auxiliary hoist	0 - 394 ft/min ⁻¹ single line	3/4" (19 mm) 790 ft	16,000 lbs.
Swing	0 - 1,5 min ⁻¹		
Boom lift	approx. 90 seconds to reach - 1,5° + 85°		
Telescoping	approx. 210 seconds for boom length from 43 - 161 ft		



Telescopic boom



On outriggers



Working range



Axle load



Hook blocks and hook



Crane movements



Speed



Swing-away-lattice

Carrier

Chassis:	Special KRUPP 5-axle carrier, all-welded torsion-resistant box-type construction in high strength steel.
Outriggers:	4 double hydraulically telescoping beams with vertical cylinders and outrigger pads. Independent horizontal and vertical movement control on each side of the chassis.
Engine:	Mercedes Benz OM 442 LA, Diesel, 8 cylinders, water-cooled, with turbocharger and supercharger intercooler, 370 kW (503 HP) at 2100 min ⁻¹ . (EG 80/1269 fan loose). Max. torque: 2020 Nm at 1100 – 1600 min ⁻¹ . Tank capacity: 100 gals.
Transmission:	Allison automatic CLBT 755.
Transfer case:	Transfer case with 2 speeds and longitudinal differential lock.
Axle lines:	5 axle lines: 2, 3, and 5 are driven axle lines; 1, 2, 3 and 5 are steering axle lines; the 4th axle line is rigid.
Suspension:	All axle lines with hydropneumatic suspension and hydraulic axle lock-out. Suspension level control. Range: + 6½" / - 5½".
Tires:	10 tires 14.00 R 25.
Steering:	Dual-circuit, stand-by steering pump.
Brakes:	Service brake: pneumatic dual-circuit, acting on all wheels, air dryer. Permanent brake: hydraulic retarder integrated within Allison automatic transmission. Hand brake: pneumatically operated spring-loaded brake acting on 2nd, 3rd, 4th and 5th axle line.
Driver's cab:	Aluminum , 2-man-design, safety glass, driver's seat with hydraulic suspension, engine hot-water heater. Complete instrumentation and driving controls.
Electrical system:	Three-phase generator 28 V/55 A, 2 batteries 12 V/170 Ah, lighting system and signals 24 V.

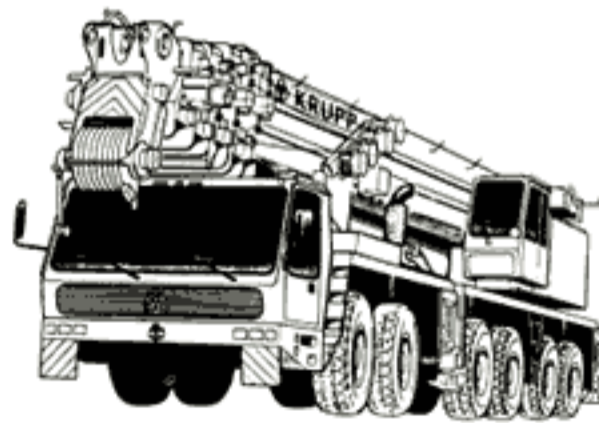
Superstructure

Frame:	Torsion-resistant welded construction in high strength steel.
Engine:	Mercedes-Benz OM 366 A, Diesel, 6 cylinders, water-cooled, 104 kW (141 HP) at 1800 min ⁻¹ . (EG 80/1269 fan rigid). Max. torque: 566 Nm at 1500 – 1600 min ⁻¹ . Tank capacity: 50 gals.
Hydraulic system:	3 separate circuits with 2 axial piston variable displacement pumps in open circuit with electronic engine speed related pump control. Tank capacity: 375 gals hydraulic oil.
Control system:	Infinite variation of all crane movements by control levers with automatic reset to zero.
Main hoist:	Rope drum with special grooving and integrated planetary gear with multiple disk brake and axial piston motor.
Derricking	1 cylinder. Boom angle - 1,5° to + 85°.
Slewing:	Vane motor, planetary gear and holding brake.
Cab:	Aluminium , full vision, safety glass, adjustable operator's seat with hydraulic suspension, engine hot-water heater. Armrest-integrated crane controls. Ergonomically arranged instrumentation and crane operating controls.
Safety installations:	Hoist and lowering limit switch, pipe beak safety valves, pressure relief valves.
Telescopic boom:	Welded construction in high strength steel, 1 pivot basic section, 4 telescopic sections. Total boom length 161 ft, all-hydraulic extension.
Electrical system:	Three-phase generator 28 V/55 A, 2 batteries 12 V/143 Ah.

Additional equipment

Drive/Steering:	10 x 8 x 8 / 10 x 6 x 10 / 10 x 8 x 10
Tires:	10 tires, 16.00 R 25. / 20.5 R 25
Swing-away lattice:	2-stage, stowing alongside boom, 33 / 59 ft (0° - 15° - 30° offset).
Aux. hoist:	2nd hoisting gear.
Driver's cab/cab:	Motor-independent heating with engine preheater.
Safe load indicator:	Electronic load moment safety device with automatic cut-out and digital display for actual and admissible load, radius and various working conditions.
Lattice jib extension:	3 x 16 ft. inserts for use with lattice swingaway extension to increase length to 76 / 92 / 108 ft. (0° - 15° - 30° offset).

Further equipment upon request.



20 to 1000 TON CAPACITIES



KRUPP CRANES NORTH AMERICA, inc.

210 VANDALE DRIVE HOUSTON (PITTSBURGH), PA 15342 PHONE 412-746-9360 • FAX 412-746-9350

PITTSBURGH, PA • HOUSTON, TX • ATLANTA, GA • SEATTLE, WA • TORONTO, ONTARIO